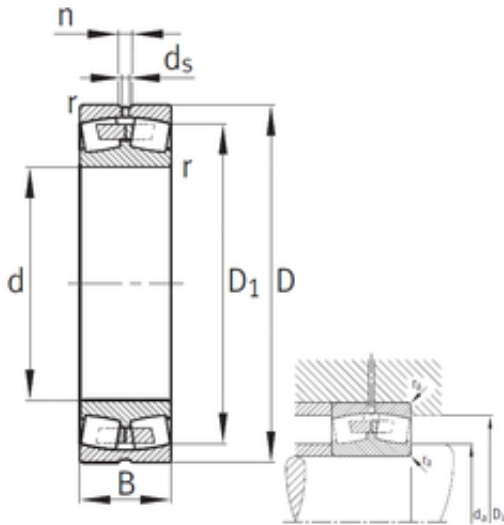




Bearing Import and Export Co., Ltd.



320 mm x 480 mm x 160 mm FAG 24064-B-K30-MB Spherical roller bearings

Bearing No. 24064-B-K30-MB

| | |
|-------------------------------|----------------|
| Size | 320x480x160 mm |
| Bore Diameter | 320 mm |
| Outer Diameter | 480 mm |
| Width | 160 mm |
| d | 320 mm |
| D | 480 mm |
| B | 160 mm |
| C | 160 mm |
| n | 15 mm |
| r min. | 4 mm |
| D1 | 424 mm |
| da min. | 334,6 mm |
| Da max. | 465,4 mm |
| ra max. | 3 mm |
| d5 | 8 r/min |
| Weight | 103 Kg |
| Basic dynamic load rating (C) | 2600 kN |
| Basic static load rating (C0) | 5400 kN |
| Fatigue load limit (Pu) | 360 |
| Reference speed | 660 r/min |
| Limiting speed | 950 r/min |
| Calculation factor (e) | 0,33 |
| Calculation factor (Y0) | 2,01 |
| Calculation factor (Y1) | 2,06 |

24064-B-K30-MB Bearing 2D drawings and 3D CAD models