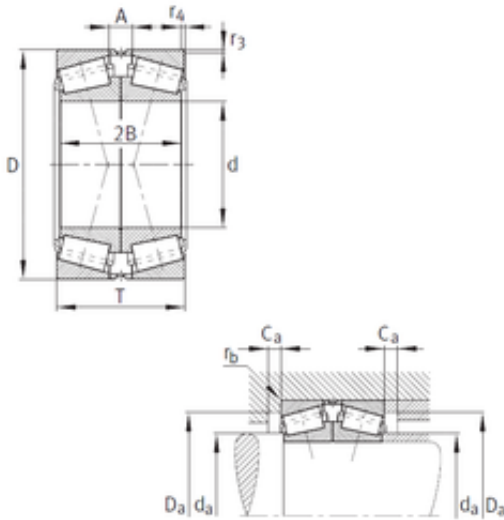




Bearing Import and Export Co., Ltd.



FAG 32968-N11CA-A550-600 Tapered roller bearings

Bearing No. 32968-N11CA-A550-600

Size	340x460x152 mm
Bore Diameter	340 mm
Outer Diameter	460 mm
Width	152 mm
d	340 mm
D	460 mm
T	152 mm
r3 min.	3 mm
r4 min.	3 mm
2B	152 mm
A	38 mm
Ca max.	12 mm
da max	361 mm
Da min	421 mm
Da max.	446 mm
rb max.	3 mm
Weight	73,1 Kg
Basic dynamic load rating (C)	1850 kN
Basic static load rating (C0)	4750 kN
Fatigue load limit (Pu)	475
Reference speed	550 r/min
Limiting speed	1 260 r/min
Calculation factor (e)	0,44
Calculation factor (Y0)	1,51
Calculation factor (Y1)	1,54

32968-N11CA-A550-600 Bearing 2D drawings and 3D CAD models



Bearing Import and Export Co., Ltd.