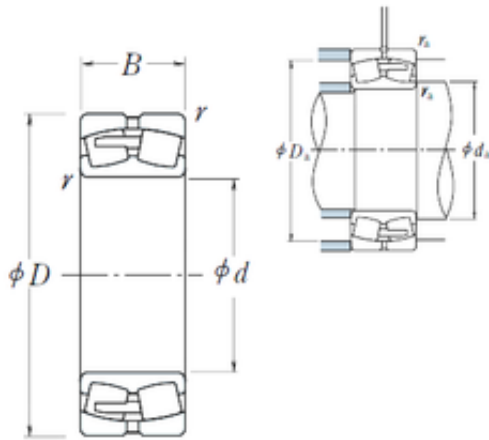




Bearing Import and Export Co., Ltd.

239/750CAE4 NSK Spherical Roller Bearing



Bearing No. 239/750CAE4

Size	750x1000x185 mm
Bore Diameter	750 mm
Outer Diameter	1000 mm
Width	185 mm
d	750 mm
D	1000 mm
B	185 mm
C	185 mm
r min.	6 mm
da min.	778 mm
Da min	931 mm
Da max.	972 mm
ra max.	5 mm
Weight	398 Kg
Basic dynamic load rating (C)	5250 kN
Basic static load rating (C0)	12800 kN
(Grease) Lubrication Speed	220 r/min
(Oil) Lubrication Speed	280 r/min
Calculation factor (e)	0,17
Calculation factor (Y0)	4
Calculation factor (Y2)	6

239/750CAE4 Bearing 2D drawings and 3D CAD models