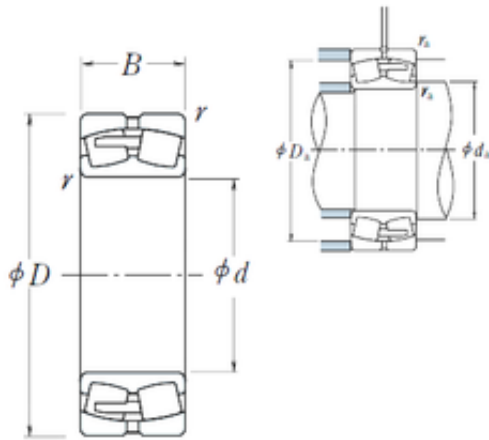




## Bearing Import and Export Co., Ltd.

### 239/1060CAE4 NSK Spherical Roller Bearing



Bearing No. 239/1060CAE4

Size	1060x1400x250 mm
Bore Diameter	1060 mm
Outer Diameter	1400 mm
Width	250 mm
d	1060 mm
D	1400 mm
B	250 mm
C	250 mm
r min.	7,5 mm
da min.	1096 mm
Da min	1302 mm
Da max.	1364 mm
ra max.	6 mm
Weight	1030 Kg
Basic dynamic load rating (C)	9300 kN
Basic static load rating (C0)	24400 kN
(Grease) Lubrication Speed	130 r/min
(Oil) Lubrication Speed	170 r/min
Calculation factor (e)	0,16
Calculation factor (Y0)	4
Calculation factor (Y2)	6,1

239/1060CAE4 Bearing 2D drawings and 3D CAD models