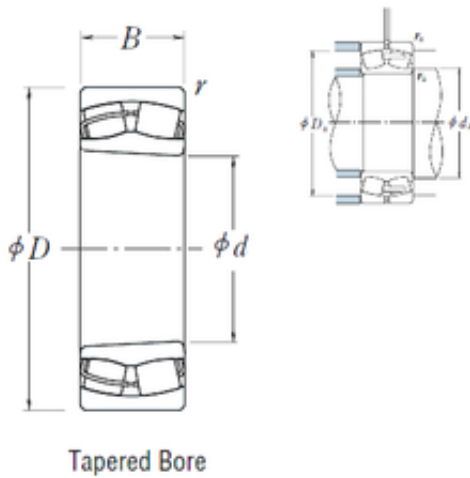




Bearing Import and Export Co., Ltd.



23024CDKE4 NSK Spherical Roller Bearing

Bearing No. 23024CDKE4

Size	120x180x46 mm
Bore Diameter	120 mm
Outer Diameter	180 mm
Width	46 mm
d	120 mm
D	180 mm
B	46 mm
C	46 mm
r min.	2 mm
da min.	130 mm
da max	134 mm
Da min	163 mm
Da max.	170 mm
ra max.	2 mm
Weight	4,11 Kg
Basic dynamic load rating (C)	315 kN
Basic static load rating (C0)	525 kN
(Grease) Lubrication Speed	1800 r/min
(Oil) Lubrication Speed	2200 r/min
Calculation factor (e)	0,22
Calculation factor (Y0)	2,9
Calculation factor (Y2)	4,5
Category	Spherical Roller Bearings
Inventory	0.0
Manufacturer Name	NSK
Minimum Buy Quantity	N/A

23024CDKE4 Bearing 2D drawings and 3D CAD models



Bearing Import and Export Co., Ltd.

Weight / Kilogram	4
Product Group	B04311
Internal Clearance	C0-Medium
Mounting Method	Adapter Mount
Rolling Element	Spherical Roller Bearing
Bore Profile	Tapered
Cage Material	Steel
Enclosure	Open
Number of Rows of Rollers	Double Row
Relubricatable	Yes
Withdrawal Sleeve	AHX3024 (Specify bore)
Inch - Metric	Metric
Long Description	120MM Tapered Bore; 180MM Outside Diameter; 46MM Width; C0-Medium Clearance; Adapter Mount; Double Row of Spherical Roller Bearings; Steel Cage Material; Open Enclosure; Relubricatable; Adapter Part N
Other Features	Order adapter or withdrawal sleeve or nut separately. Others may be available
Category	Spherical Roller Bearing
UNSPSC	31171510
Harmonized Tariff Code	84823080
Noun	Bearing
Keyword String	Spherical
Manufacturer URL	http://www.nskamericas.com
Manufacturer Item Number	23024CDKE4
Weight / LBS	4.03
Adapter Part Number	SNW3024 H3024 HA3024 HE3024 (Specify Bore) Inch



Bearing Import and Export Co., Ltd.

	H3024 (Specify bore) Millimeter
Bore	4.724 Inch 120 Millimeter
Width	1.811 Inch 46 Millimeter
Outside Diameter	7.087 Inch 180 Millimeter
bore diameter:	120 mm
outer ring type:	Not Split
outside diameter:	180 mm
internal clearance:	C0
overall width:	46 mm
lubrication hole type:	Oil Grooves And Holes In Outer Ring
bore type:	Tapered 1:12
cage material:	Steel
Y3	3
hidYobi	23024CDKE4
LangID	1
Y1	2.9
D_	180
Y2	4.5
Macha rpm	0
B_	46
da min	130
hidTable	ecat_NSSPHR
Oil rpm	2200
Y0	2.9
mass	4.11
GRS rpm	1800
ra	2
TSR rpm	3200
C0	525
DE_	166.155
X0	1



Bearing Import and Export Co., Ltd.

Prod_Type3	SRB_CTB_TB
X1	1
X2	0.67
SIR	17.5
e	0.22
DA_	15
bomp	23024CDKE4
Z_	27
ALP2	30
ALP1	8
ALP3	0
D_a max	170
D_a min	163
yobi	23024CDKE4
ALPHA_	0.148
SDM_	151.319
r	2
KBRG	2321
SBRG	30
DI_	136.484