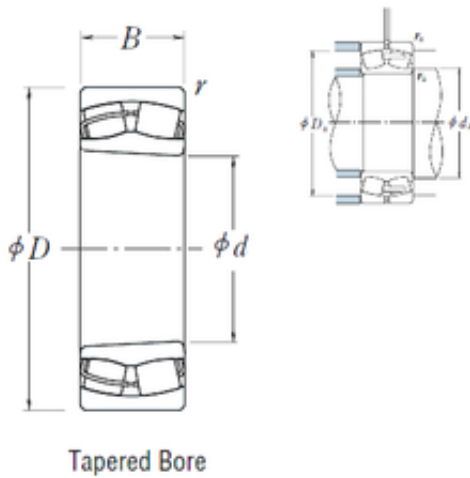




Bearing Import and Export Co., Ltd.



23130CKE4 NSK Spherical Roller Bearing

Bearing No. 23130CKE4

Size	150x250x80 mm
Bore Diameter	150 mm
Outer Diameter	250 mm
Width	80 mm
d	150 mm
D	250 mm
B	80 mm
C	80 mm
r min.	2,1 mm
da min.	162 mm
da max	174 mm
Da min	218 mm
Da max.	238 mm
ra max.	2 mm
Weight	15,8 Kg
Basic dynamic load rating (C)	725 kN
Basic static load rating (C0)	1180 kN
(Grease) Lubrication Speed	1100 r/min
(Oil) Lubrication Speed	1400 r/min
Calculation factor (e)	0,3
Calculation factor (Y0)	2,2
Calculation factor (Y2)	3,4
Category	Spherical Roller Bearings
Inventory	0.0
Manufacturer Name	NSK
Minimum Buy Quantity	N/A

23130CKE4 Bearing 2D drawings and 3D CAD models



Bearing Import and Export Co., Ltd.

Weight / Kilogram	16
Product Group	B04311
Internal Clearance	C0-Medium
Mounting Method	Adapter Mount
Rolling Element	Spherical Roller Bearing
Bore Profile	Tapered
Cage Material	Steel
Enclosure	Open
Number of Rows of Rollers	Double Row
Relubricatable	Yes
Withdrawal Sleeve	AHX3130 (Specify bore)
Inch - Metric	Metric
Long Description	150MM Tapered Bore; 250MM Outside Diameter; 80MM Width; C0-Medium Clearance; Adapter Mount; Double Row of Spherical Roller Bearings; Steel Cage Material; Open Enclosure; Relubricatable; Adapter Part N
Other Features	Order adapter or withdrawal sleeve or nut separately. Others may be available
Category	Spherical Roller Bearing
UNSPSC	31171510
Harmonized Tariff Code	84823080
Noun	Bearing
Keyword String	Spherical
Manufacturer URL	http://www.nskamericas.com
Manufacturer Item Number	23130CKE4
Weight / LBS	16
Bore	5.906 Inch 150 Millimeter
Width	3.15 Inch 80 Millimeter



Bearing Import and Export Co., Ltd.

Adapter Part Number	SNW3130 H3130 HA3130 HE3130 (Specify bore) Inch H3130 (Specify bore) Millimeter
Outside Diameter	9.843 Inch 250 Millimeter
bore diameter:	150 mm
outer ring type:	Not Split
outside diameter:	250 mm
internal clearance:	C0
overall width:	80 mm
lubrication hole type:	Oil Grooves And Holes In Outer Ring
bore type:	Tapered 1:12
cage material:	Bronze
Y3	2.3
hidYobi	23130CKE4
LangID	1
Y1	2.2
D_	250
Y2	3.4
Macha rpm	0
B_	80
da min	162
hidTable	ecat_NSSPHR
Oil rpm	1400
Y0	2.2
mass	15.8
GRS rpm	1100
ra	2
TSR rpm	2200
C0	1180
DE_	226.627
X0	1



Bearing Import and Export Co., Ltd.

Prod_Type3	SRB_CTB_TB
X1	1
X2	0.67
SIR	31.5
e	0.3
DA_	24.5
bomp	23130CKE4
Z_	21
ALP2	10
ALP1	11
ALP3	0
D_a max	238
D_a min	218
yobi	23130CKE4
ALPHA_	0.195
SDM_	202.591
r	2.1
KBRG	2322
SBRG	31
DI_	178.554