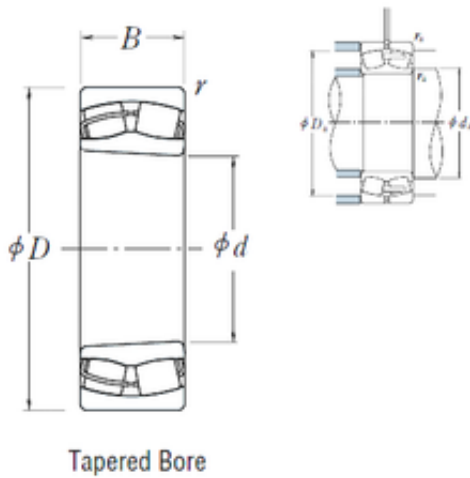




Bearing Import and Export Co., Ltd.



24130CK30E4 NSK Spherical Roller Bearing

Bearing No. 24130CK30E4

Size	150x250x100 mm
Bore Diameter	150 mm
Outer Diameter	250 mm
Width	100 mm
d	150 mm
D	250 mm
B	100 mm
C	100 mm
r min.	2,1 mm
da min.	162 mm
da max	169 mm
Da min	212 mm
Da max.	238 mm
ra max.	2 mm
Weight	19,8 Kg
Basic dynamic load rating (C)	890 kN
Basic static load rating (C0)	1530 kN
(Grease) Lubrication Speed	1100 r/min
(Oil) Lubrication Speed	1400 r/min
Calculation factor (e)	0,38
Calculation factor (Y0)	1,7
Calculation factor (Y2)	2,6
Category	Bearings
Inventory	0.0
Manufacturer Name	NSK
Minimum Buy Quantity	N/A

24130CK30E4 Bearing 2D drawings and 3D CAD models



Bearing Import and Export Co., Ltd.

Weight / Kilogram	18.2
Product Group	B04311
Y3	1.8
hidYobi	24130CK30E4
LangID	1
Y1	1.7
D_	250
Y2	2.6
Macha rpm	0
B_	100
da min	162
hidTable	ecat_NSSPHR
Oil rpm	1400
Y0	1.7
mass	19.8
GRS rpm	1100
ra	2
TSR rpm	1400
C0	1530
DE_	224.778
X0	1
Prod_Type3	SRB_CTB_TB
X1	1
X2	0.67
SIR	40
e	0.38
DA_	25
bomp	24130CK30E4
Z_	21
ALP2	20
ALP1	14
ALP3	0



Bearing Import and Export Co., Ltd.

D_a max	238
D_a min	212
yobi	24130CK30E4
ALPHA_	0.25
SDM_	200.556
r	2.1
KBRG	2322
SBRG	41
DI_	176.335