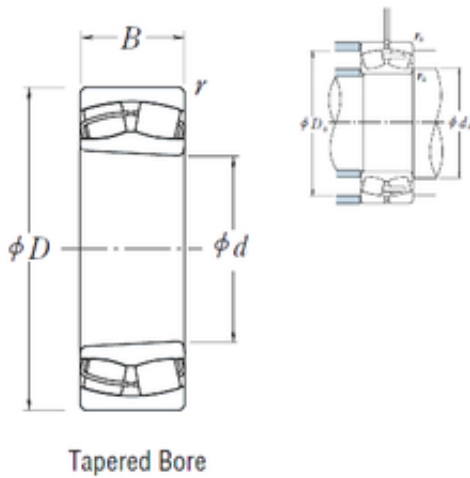




Bearing Import and Export Co., Ltd.



23034CDKE4 NSK Spherical Roller Bearing

Bearing No. 23034CDKE4

Size	170x260x67 mm
Bore Diameter	170 mm
Outer Diameter	260 mm
Width	67 mm
d	170 mm
D	260 mm
B	67 mm
C	67 mm
r min.	2,1 mm
da min.	182 mm
da max	191 mm
Da min	233 mm
Da max.	248 mm
ra max.	2 mm
Weight	13 Kg
Basic dynamic load rating (C)	640 kN
Basic static load rating (C0)	1090 kN
(Grease) Lubrication Speed	1200 r/min
(Oil) Lubrication Speed	1600 r/min
Calculation factor (e)	0,23
Calculation factor (Y0)	2,8
Calculation factor (Y2)	4,3
Category	Spherical Roller Bearings
Inventory	0.0
Manufacturer Name	NSK
Minimum Buy Quantity	N/A

23034CDKE4 Bearing 2D drawings and 3D CAD models



Bearing Import and Export Co., Ltd.

Weight / Kilogram	12.7
Product Group	B04311
Internal Clearance	C0-Medium
Mounting Method	Adapter Mount
Rolling Element	Spherical Roller Bearing
Bore Profile	Tapered
Cage Material	Steel
Enclosure	Open
Number of Rows of Rollers	Double Row
Relubricatable	Yes
Withdrawal Sleeve	AH3034 (Specify bore)
Inch - Metric	Metric
Long Description	170MM Tapered Bore; 260MM Outside Diameter; 67MM Width; C0-Medium Clearance; Adapter Mount; Double Row of Spherical Roller Bearings; Steel Cage Material; Open Enclosure; Relubricatable; Adapter Part N
Other Features	Order adapter or withdrawal sleeve or nut separately. Others may be available
Category	Spherical Roller Bearing
UNSPSC	31171510
Harmonized Tariff Code	84823080
Noun	Bearing
Keyword String	Spherical
Manufacturer URL	http://www.nskamericas.com
Manufacturer Item Number	23034CDKE4
Weight / LBS	12.7
Outside Diameter	10.236 Inch 260 Millimeter
Adapter Part Number	SNW3034 H3034 HA3034



Bearing Import and Export Co., Ltd.

	HE3034 (Specify Bore) Inch H3034 (Specify bore) Millimeter
Bore	6.693 Inch 170 Millimeter
Width	2.638 Inch 67 Millimeter
bore diameter:	170 mm
outer ring type:	Not Split
outside diameter:	260 mm
internal clearance:	C0
overall width:	67 mm
lubrication hole type:	Oil Grooves And Holes In Outer Ring
bore type:	Tapered 1:12
cage material:	Bronze
Y3	2.9
hidYobi	23034CDKE4
LangID	1
Y1	2.8
D_	260
Y2	4.3
Macha rpm	0
B_	67
da min	182
hidTable	ecat_NSSPHR
Oil rpm	1600
Y0	2.8
mass	13
GRS rpm	1200
ra	2
TSR rpm	2200
C0	1090
DE_	239.13
X0	1



Bearing Import and Export Co., Ltd.

Prod_Type3	SRB_CTB_TB
X1	1
X2	0.67
SIR	26.5
e	0.23
DA_	22.5
bomp	23034CDKE4
Z_	25
ALP2	50
ALP1	8
ALP3	0
D_a max	248
D_a min	233
yobi	23034CDKE4
ALPHA_	0.154
SDM_	216.897
r	2.1
KBRG	2321
SBRG	30
DI_	194.663