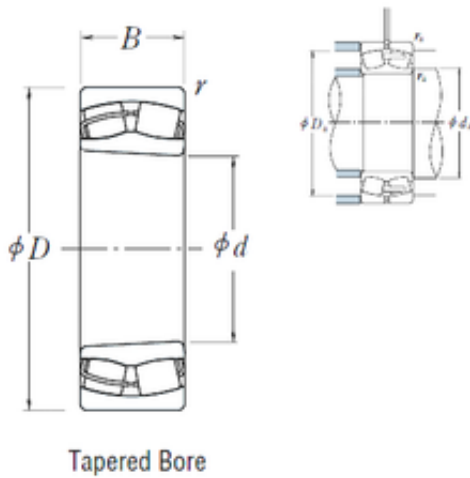




## Bearing Import and Export Co., Ltd.



23238CKE4 Bearing 2D drawings and 3D CAD models

### 23238CKE4 NSK Spherical Roller Bearing

Bearing No. 23238CKE4

Size	190x340x120 mm
Bore Diameter	190 mm
Outer Diameter	340 mm
Width	120 mm
d	190 mm
D	340 mm
B	120 mm
C	120 mm
r min.	4 mm
da min.	208 mm
da max	222 mm
Da min	288 mm
Da max.	322 mm
ra max.	3 mm
Weight	47,6 Kg
Basic dynamic load rating (C)	1440 kN
Basic static load rating (C0)	2350 kN
(Grease) Lubrication Speed	800 r/min
(Oil) Lubrication Speed	1100 r/min
Calculation factor (e)	0,35
Calculation factor (Y0)	1,9
Calculation factor (Y2)	2,9
Category	Spherical Roller Bearings
Inventory	0.0
Manufacturer Name	NSK
Minimum Buy Quantity	N/A



## Bearing Import and Export Co., Ltd.

Weight / Kilogram	45
Product Group	B04311
Internal Clearance	C0-Medium
Mounting Method	Adapter Mount
Rolling Element	Spherical Roller Bearing
Bore Profile	Tapered
Cage Material	Steel
Enclosure	Open
Number of Rows of Rollers	Double Row
Relubricatable	Yes
Withdrawal Sleeve	AH2338 (Specify bore)
Inch - Metric	Metric
Long Description	190MM Tapered Bore; 340MM Outside Diameter; 120MM Width; C0-Medium Clearance; Adapter Mount; Double Row of Spherical Roller Bearings; Steel Cage Material; Open Enclosure; Relubricatable; Adapter Part
Other Features	Order adapter or withdrawal sleeve or nut separately. Others may be available
Category	Spherical Roller Bearing
UNSPSC	31171510
Harmonized Tariff Code	84823080
Noun	Bearing
Keyword String	Spherical
Manufacturer URL	<a href="http://www.nskamericas.com">http://www.nskamericas.com</a>
Manufacturer Item Number	23238CKE4
Weight / LBS	45
Bore	7.48 Inch   190 Millimeter
Adapter Part Number	SNW138 H2338 HA2338



## Bearing Import and Export Co., Ltd.

	HE2338 (Specify Bore) Inch   H2338 (Specify bore) Millimeter
Width	4.724 Inch   120 Millimeter
Outside Diameter	13.386 Inch   340 Millimeter
Y3	1.9
hidYobi	23238CKE4
LangID	1
Y1	1.9
D_	340
Y2	2.9
Macha rpm	0
B_	120
da min	208
hidTable	ecat_NSSPHR
Oil rpm	1100
Y0	1.9
mass	47.6
GRS rpm	800
ra	3
TSR rpm	1200
C0	2350
DE_	302.055
X0	1
Prod_Type3	SRB_CTB_TB
X1	1
X2	0.67
SIR	47
e	0.35
DA_	37
bomp	23238CKE4
Z_	19
ALP2	0



## Bearing Import and Export Co., Ltd.

ALP1	13
ALP3	0
D_a max	322
D_a min	288
yobi	23238CKE4
ALPHA_	0.227
SDM_	266.003
r	4
KBRG	2322
SBRG	32
DI_	229.951