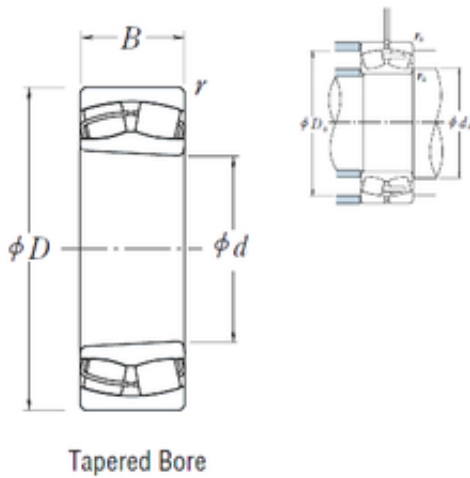




Bearing Import and Export Co., Ltd.



24044CK30E4 NSK Spherical Roller Bearing

Bearing No. 24044CK30E4

Size	220x340x118 mm
Bore Diameter	220 mm
Outer Diameter	340 mm
Width	118 mm
d	220 mm
D	340 mm
B	118 mm
C	118 mm
r min.	3 mm
da min.	234 mm
da max	244 mm
Da min	296 mm
Da max.	326 mm
ra max.	2,5 mm
Weight	40,5 Kg
Basic dynamic load rating (C)	1360 kN
Basic static load rating (C0)	2600 kN
(Grease) Lubrication Speed	750 r/min
(Oil) Lubrication Speed	1000 r/min
Calculation factor (e)	0,31
Calculation factor (Y0)	2,1
Calculation factor (Y2)	3,2
Category	Spherical Roller Bearings
Inventory	0.0
Manufacturer Name	NSK
Minimum Buy Quantity	N/A

24044CK30E4 Bearing 2D drawings and 3D CAD models



Bearing Import and Export Co., Ltd.

Weight / Kilogram	37
Product Group	B04311
Internal Clearance	C0-Medium
Mounting Method	Adapter Mount
Rolling Element	Spherical Roller Bearing
Bore Profile	Tapered
Cage Material	Steel
Enclosure	Open
Number of Rows of Rollers	Double Row
Relubricatable	Yes
Withdrawal Sleeve	AH24044H AOH24044 (Specify bore)
Inch - Metric	Metric
Long Description	220MM Tapered Bore; 340MM Outside Diameter; 118MM Width; C0-Medium Clearance; Adapter Mount; Double Row of Spherical Roller Bearings; Steel Cage Material; Open Enclosure; Relubricatable
Other Features	Order adapter or withdrawal sleeve or nut separately. Others may be available
Category	Spherical Roller Bearing
UNSPSC	31171510
Harmonized Tariff Code	84823080
Noun	Bearing
Keyword String	Spherical
Manufacturer URL	http://www.nskamericas.com
Manufacturer Item Number	24044CK30E4
Weight / LBS	37
Width	4.646 Inch 118 Millimeter



Bearing Import and Export Co., Ltd.

Bore	8.661 Inch 220 Millimeter
Outside Diameter	13.386 Inch 340 Millimeter
bore diameter:	220 mm
closure type:	Open
outside diameter:	340 mm
lubrication hole type:	Oil Grooves And Holes In Outer Ring
overall width:	118 mm
cage material:	Steel
bore type:	Tapered 1:30
application:	General Machinery
outer ring type:	Not Split
series:	Spherical Roller 240 Series
internal clearance:	C0
Y3	2.1
hidYobi	24044CK30E4
LangID	1
Y1	2.1
D_	340
Y2	3.2
Macha rpm	0
B_	118
da min	234
hidTable	ecat_NSSPHR
Oil rpm	1000
Y0	2.1
mass	40.5
GRS rpm	750
ra	2.5
TSR rpm	1200
C0	2600
DE_	309.284
X0	1



Bearing Import and Export Co., Ltd.

Prod_Type3	SRB_CTB_TB
X1	1
X2	0.67
SIR	47
e	0.31
DA_	29.5
bomp	24044CK30E4
Z_	25
ALP2	50
ALP1	11
ALP3	0
D_a max	326
D_a min	296
yobi	24044CK30E4
ALPHA_	0.207
SDM_	280.411
r	3
KBRG	2322
SBRG	40
DI_	251.538