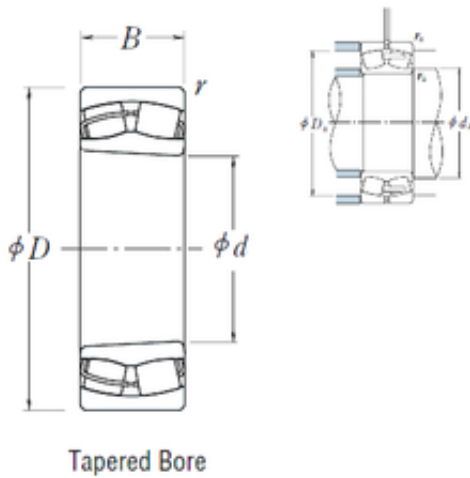




Bearing Import and Export Co., Ltd.



23148CKE4 Bearing 2D drawings and 3D CAD models

23148CKE4 NSK Spherical Roller Bearing

Bearing No. 23148CKE4

Size	240x400x128 mm
Bore Diameter	240 mm
Outer Diameter	400 mm
Width	128 mm
d	240 mm
D	400 mm
B	128 mm
C	128 mm
r min.	4 mm
da min.	258 mm
da max	275 mm
Da min	347 mm
Da max.	382 mm
ra max.	3 mm
Weight	66,9 Kg
Basic dynamic load rating (C)	1790 kN
Basic static load rating (C0)	3100 kN
(Grease) Lubrication Speed	670 r/min
(Oil) Lubrication Speed	850 r/min
Calculation factor (e)	0,3
Calculation factor (Y0)	2,2
Calculation factor (Y2)	3,3
Category	Spherical Roller Bearings
Inventory	0.0
Manufacturer Name	NSK
Minimum Buy Quantity	N/A



Bearing Import and Export Co., Ltd.

Weight / Kilogram	63
Product Group	B04311
Internal Clearance	C0-Medium
Mounting Method	Adapter Mount
Rolling Element	Spherical Roller Bearing
Bore Profile	Tapered
Cage Material	Steel
Enclosure	Open
Number of Rows of Rollers	Double Row
Relubricatable	Yes
Withdrawal Sleeve	AH3148 AOH3148 (Specify bore)
Inch - Metric	Metric
Long Description	240MM Tapered Bore; 400MM Outside Diameter; 128MM Width; C0-Medium Clearance; Adapter Mount; Double Row of Spherical Roller Bearings; Steel Cage Material; Open Enclosure; Relubricatable; Adapter Part
Other Features	Order adapter or withdrawal sleeve or nut separately. Others may be available
Category	Spherical Roller Bearing
UNSPSC	31171510
Harmonized Tariff Code	84823080
Noun	Bearing
Keyword String	Spherical
Manufacturer URL	http://www.nskamericas.com
Manufacturer Item Number	23148CKE4
Weight / LBS	63
Outside Diameter	15.748 Inch 400 Millimeter



Bearing Import and Export Co., Ltd.

Bore	9.449 Inch 240 Millimeter
Width	5.039 Inch 128 Millimeter
Adapter Part Number	SNP3148 H3148 (Specify bore) Inch H3148 (Specify bore) Millimeter
bore diameter:	240 mm
outer ring type:	Not Split
outside diameter:	400 mm
internal clearance:	C0
overall width:	128 mm
lubrication hole type:	Oil Grooves And Holes In Outer Ring
bore type:	Tapered 1:12
cage material:	Brass
Y3	2.2
hidYobi	23148CKE4
LangID	1
Y1	2.2
D_	400
Y2	3.3
Macha rpm	0
B_	128
da min	258
hidTable	ecat_NSSPHR
Oil rpm	850
Y0	2.2
mass	66.9
GRS rpm	670
ra	3
TSR rpm	1200
C0	3100
DE_	360.824
X0	1



Bearing Import and Export Co., Ltd.

Prod_Type3	SRB_CTB_TB
X1	1
X2	0.67
SIR	51
e	0.3
DA_	40
bomp	23148CKE4
Z_	21
ALP2	20
ALP1	11
ALP3	0
D_a max	382
D_a min	347
yobi	23148CKE4
ALPHA_	0.198
SDM_	321.604
r	4
KBRG	2322
SBRG	31
DI_	282.384