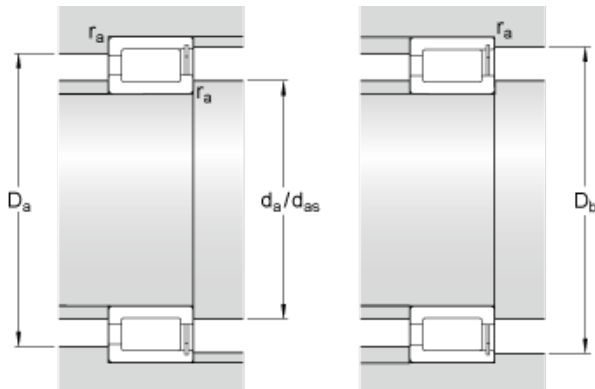




Bearing Import and Export Co., Ltd.



NCF 1872 V Tapered Roller Bearings

Bearing No. NCF 1872 V

d	360 mm
D	440 mm
B	38 mm
d ₁	388 mm
D ₁	413 mm
E	418.9 mm
s max.	3 mm
r _{1,2} min.	2.1 mm
d _a min.	371 mm
d _{as}	384 mm
D _a max.	429 mm
D _b max.	433 mm
r _a max.	2 mm
Basic dynamic load rating C	402 kN
Basic static load rating C ₀	900 kN
Fatigue load limit P _u	76.5 kN
Reference speed	560 r/min
Limiting speed	700 r/min
Calculation factor k _r	0.1
Calculation factor e	0.2
Calculation factor Y	0.6
Mass bearing	11.5 kg

NCF 1872 V Bearing 2D drawings and 3D CAD models